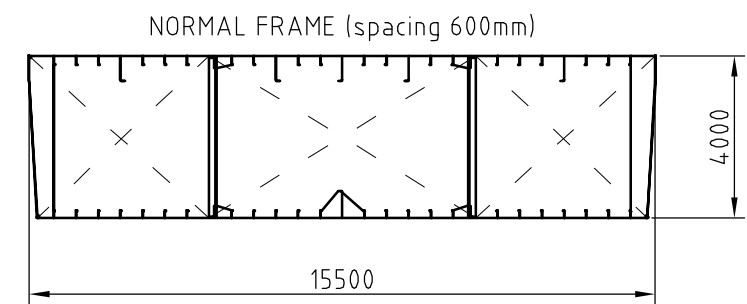
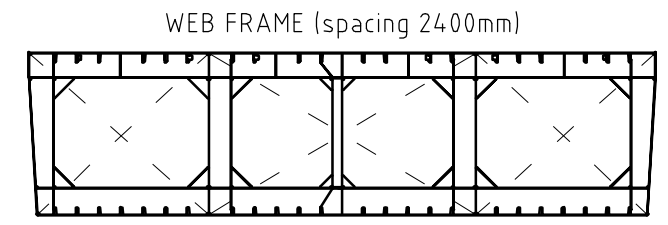


General particulars

Name : Lastdrager 26
 Type of vessel : Flat top pontoon
 Length (o.a.) : 66.04 m
 Length (b.p.p.) : 63.36 m
 Breadth (o.a.) : 15.54 m
 Depth (mould) : 4.00 m
 Construction weight : 531 ton
 Empty draught (at sea) : 0.63 m
 Deadweight (at sea, s.w.l.) : 2482 ton
 GRT / NRT : 1031 / 309 R.T.
 Classification : LR +100AN "Pontoon"
 Remarks : Suitable for spuds ϕ 610mm

Please note: This drawing is indicative, please contact us for further details regarding the pontoon and its equipment (bollards, winches, manholes, anchors etc.)



Allowable Load (indic.)	Draught [m] (u.s.k.)	Deadweight [ton]		Ton/cm Saltwater	KMT [m]
		Freshwater	Saltwater		
A 150t	0.64	0	13	8.8	31.34
B 75t	0.80	139	156	8.9	25.32
C 115t	1.00	315	336	9.1	21.84
D 90t	1.20	494	520	9.3	17.60
E 125t	1.40	678	708	9.4	15.49
F 85t	1.60	863	898	9.6	13.91
G 115t	1.80	1054	1093	9.8	12.79
H 150t	2.00	1247	1291	10.0	11.70
I 110t	2.20	1443	1492	10.1	10.94
J 10t/m2	2.40	1642	1696	10.2	10.26
K 135t	2.60	1842	1901	10.3	9.71
L 70t	2.80	2045	2109	10.4	9.27
M 50t	3.00	2249	2318	10.4	8.85
N 110t	3.158	2409	2482	10.5	8.57

02				CLIENT	Van der Wees Watertransporten B.V.	KONINKLIJKE VAN DER WEES WATERTRANSPORTEN B.V. 's-Gravendeelsedijk 100, Dordrecht P.O. Box 629, 3300 AP Dordrecht, Holland watertransporten@vanderwees.nl Telephone: + 31 (0)78 - 648 26 65 www.vanderwees.nl Telefax : + 31 (0)78 - 613 25 96 Specialists in towage services and transports since 1907	
01	17-07-2009	W. Kock	Koninklijk titelblok	PROJECT			
00	12-11-2003	T.Lavrijssen	First Issue	PROJECT	Fleet drawings		
REV.	DATE	DRAWN BY	REASON FOR REVISION	DESCRIPTION	Capacity plan "Lastdrager 26"		
PAPER SIZE	SCALE	DRAWING NUMBER	DRAWING STATUS				
A3	N.T.S.	VDWLD26-DWG03	PRELIMINARY				