

## Dintelstroom



### Anchor handling tug supply vessel

IMO nr.	9556612
Call sign	PBWC
Type	Shoalbuster 3009
Constructed	2009
Bollard Pull	45.1 tons
Speed	11.6 knots
Free deck space	80 m <sup>2</sup>
Deckload	15.0 - 3.0 ton/m <sup>2</sup>

### Basic functions

Towing, Mooring, Pushing, Anchor Handling,  
Supplying, Surveying, Ploughing, Crew Transfer

GRT / NT 309 / 92

Dimensions 30.08 x 9.35 x 4.40 mtr.

Draft (min. / max.) 2.60 / 3.20 mtr.

Air draft (min. / max.) 12.10 / 17.60 mtr.

Displacement 550 tons

Tank capacities	Fuel oil	174.9 m <sup>3</sup>	Sludge	7.0 m <sup>3</sup>	Bilge water	4.3 m <sup>3</sup>
	Lub oil	7.3 m <sup>3</sup>	Fresh water	40.9 m <sup>3</sup>		
	Hydr. oil	3.1 m <sup>3</sup>	Sewage	7.6 m <sup>3</sup>		

Transfer pumps Fuel & Water, 50 m<sup>3</sup>/hr. @ 4.8 bar

Nautical equipment Radar (sea/river) - Radar (sea) - Magnetic compass - Gyro compass - Auto pilot - GPS / Satellite navigation system - AIS - 2x Echo sounder - Speedlog - Weatherfax - Windindicator  
3x VHF + DSC - SSB Radio - Navtex - FBB - 2x Inmarsat-C - EPIRB - 2x SART Satcom + GSM 2x FBB

Deck equipment Hydr. crane, Heila, type HLRM-170-3 SL, 170 T/m (10T. - 14 mtr. / 12.5T. - 12 mtr.)  
Towing winch, Ridderinkhof, WF - 900 / 600 mtr., Ø 40 mm steel wire, power 50 / 100 tons  
Anchor handling winch, Ridderinkhof, 60 mtr., Ø 50 mm steel wire, power 100 / 150 tons  
Tugger winch, Brevini, 75 mtr., Ø 18 mm steel wire, power 8 tons - Hydr. Towing pins  
Stern roller, L 4.00 mtr., Ø 800 mm, SWL 100T - Towing hook, SWL 50T - Capstan 440 mm  
Container locks (2x 20 ft.) - Push bow

Special equipment AC/CV installation  
Air Compressor, ABAC, type 5900 400 VAC, cap. 600 m<sup>3</sup>/hr. @ 8 bar  
Fresh water maker, HEM, type 25/1200 (400VAC, 2.2 kW) 4.5 m<sup>3</sup> / 24 hr. (by 25°)  
1x Crew cabin, 35 persons - MoB-boat (RHIB)

FiFi equipment FiFi set, 1x Caterpillar 3406E, cap. 800 m<sup>3</sup>/hr. @ 11 bar  
2x FiFi monitor, Albach, type HR 376, each 400 m<sup>3</sup>/hr., Horz. - 360° / Vert. -45° / +75°

Accommodation 8 persons

Classification BV - I HULL • MACH / Tug, Special service - multi purpose ship / Unrestricted navigation • AUT-UMS  
NSI - Unrestricted navigation

Engines 2x Caterpillar, type 3512B TA/C,  
each 1.230 kW / 1.672 HP @ 1600 rpm

Gear Boxes 2x Reintjes, type WAF 773,  
reduction 6.44:1

Generator Sets 2x Caterpillar, type C 4.4 DITA,  
each 105 kVA, voltage 230/400 V - 50 Hz

Hydro Set 1x Caterpillar, type C 18 TA-B,  
357 kW / 479 HP @ 1800 rpm

Propulsion 2x Fixed pitch propeller in Kort Nozzle  
(Ø 2250 mm)

Bow Thruster Hydraulic driven FPP,  
184 kW / 250 HP (Ø 860 mm)



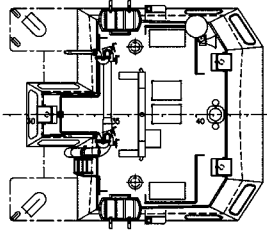
Van Wijngaarden Marine Services BV

Buitenweistraat 15, 3372 BC Hardinxveld-Giessendam  
The Netherlands

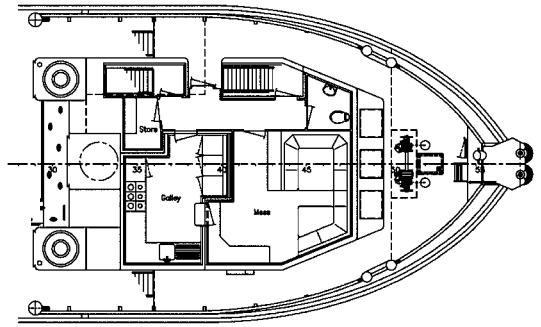
E info@wijngaarden.com  
T +31 (0) 184 490 244

wijngaarden.com

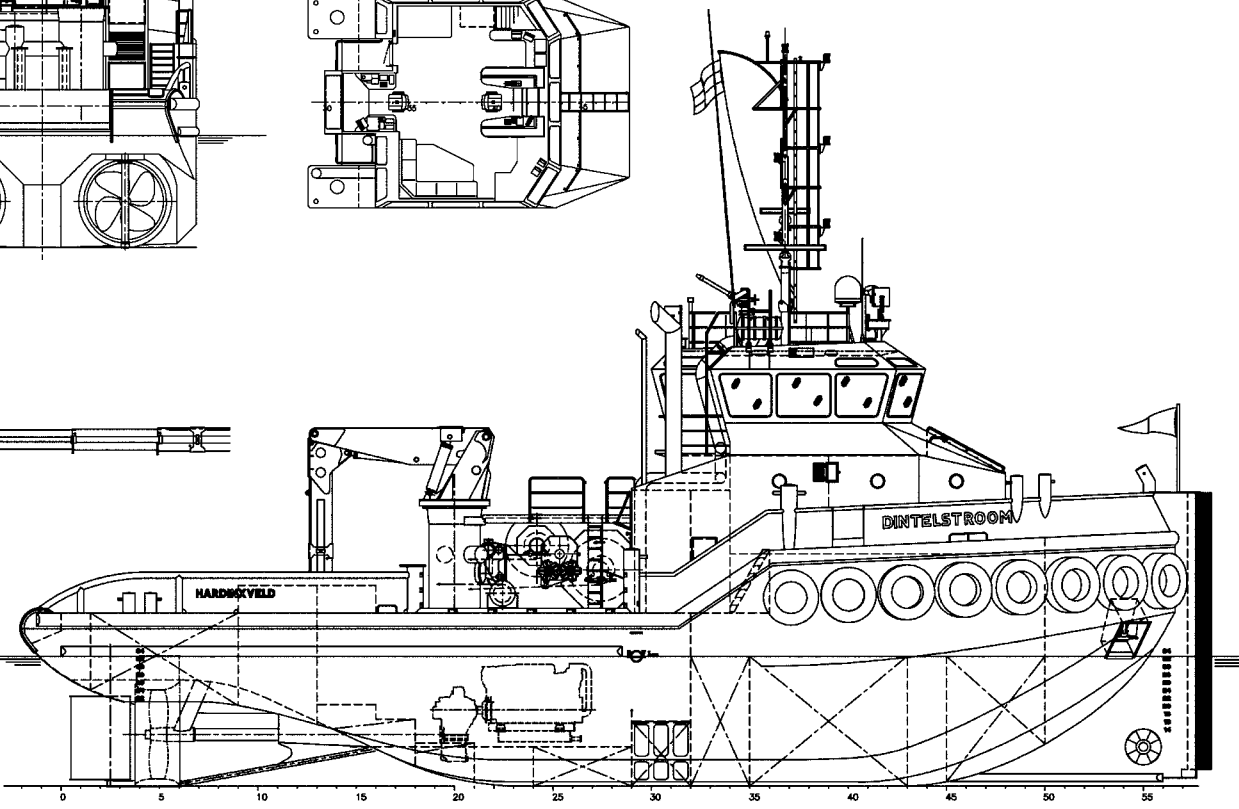
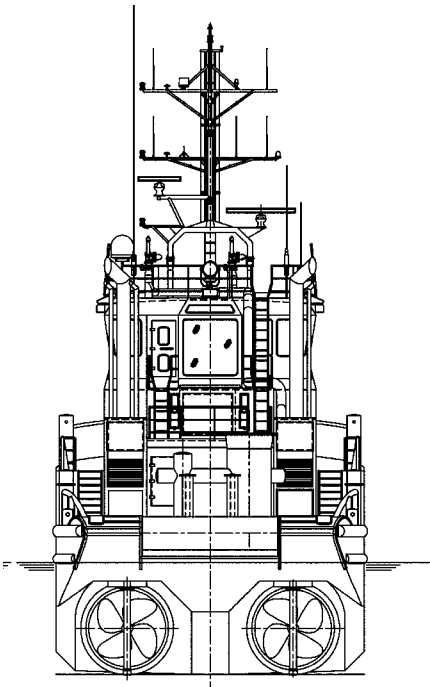
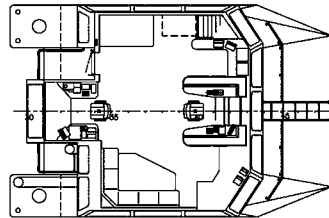
Topdeck



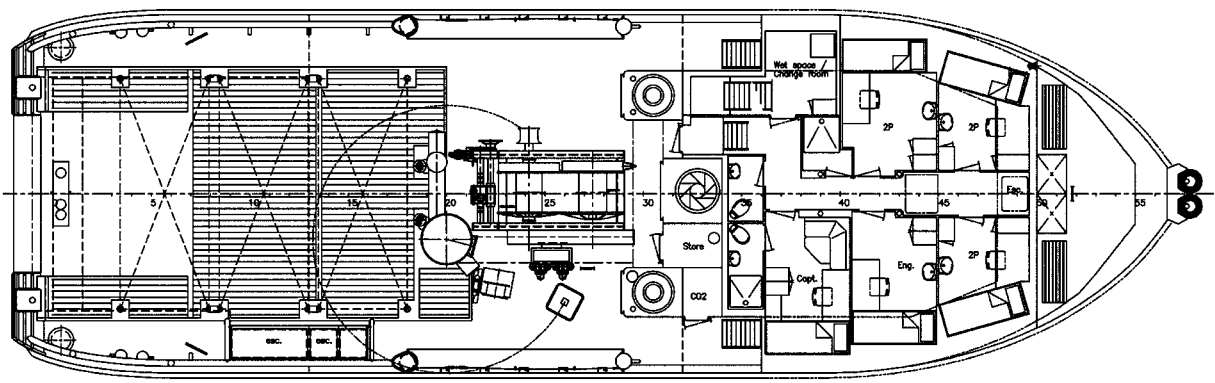
Forecastledeck



Wheelhousedeck



Maindeck



Below maindeck

